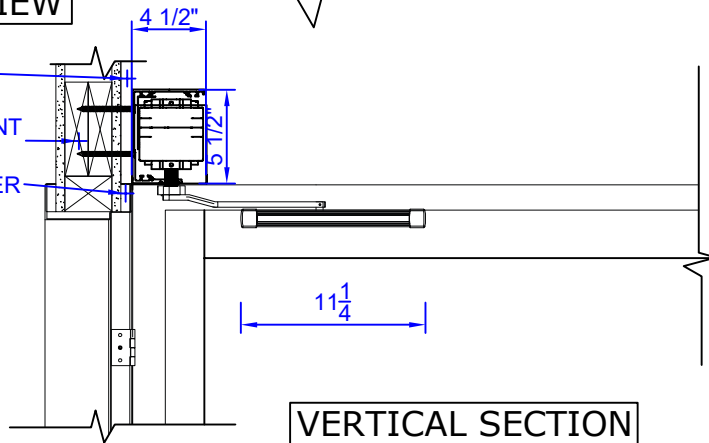
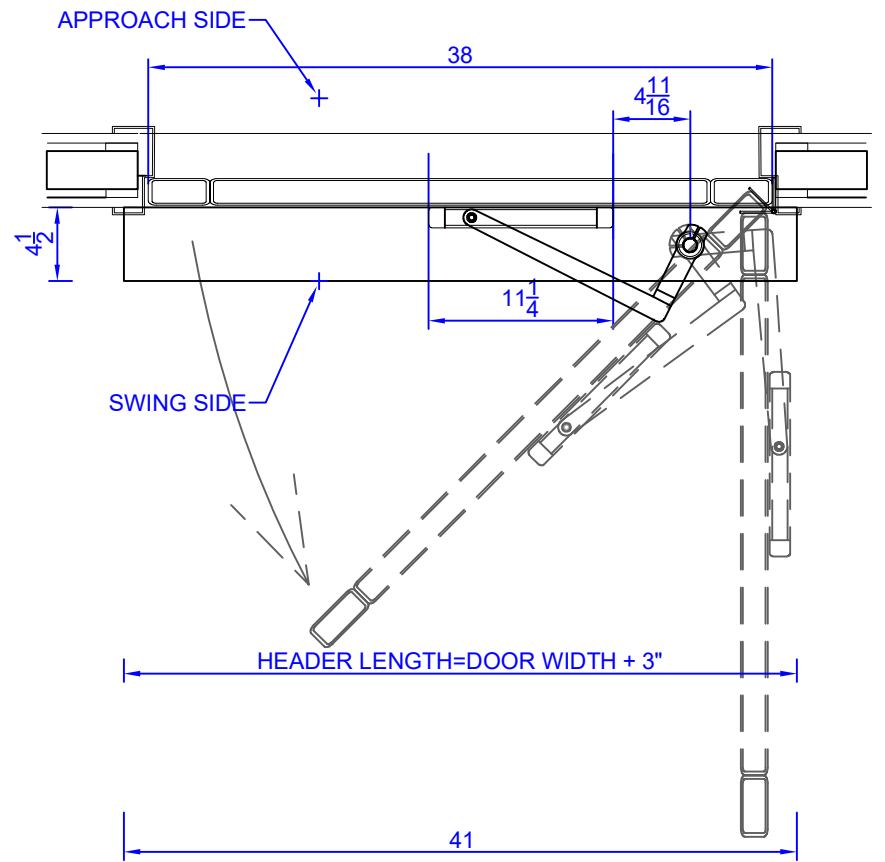


FRONT VIEW

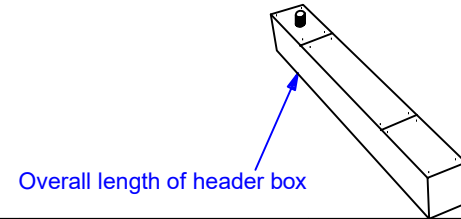
FILLER PLATE
AS REQUIRED
BY OTHERS
REINFORCEMENT
BY OTHERS
2" FRAME HEADER



VERTICAL SECTION



TOP VIEW



MICOM Americas Inc.

220 Viceroy Road, Vaughan, ON
UNIT 15, L4K 3C2 Toronto,
Tel : +1 905 851 8688
www.micomamericas.ca

CLIENT:

PROJECT:

DRAWING TITLE
**LEFT HAND PULL
BOTTOM LOAD**

Notes:

ALL DIMENSIONS ARE IN INCH, UNLESS OTHERWISE SPECIFIED

Architect

REVISIONS				
REV	DATE	DESCRIPTION	CHKD	APP.
03	01-31-18	FOR APPROVAL		
04	02-12-18	FOR APPROVAL		
05	04-16-18	FOR APPROVAL		

SCALE AS NOTED	DATE 04.16.18	DRAWN BY M.K	CHECKED BY	APPROVED BY
SECTION: LHPULL BOTTOM LOAD				SHEET NO. 01