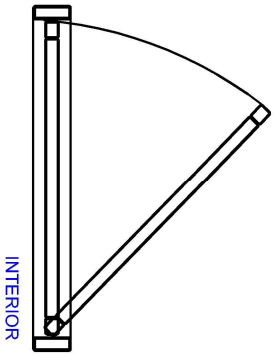
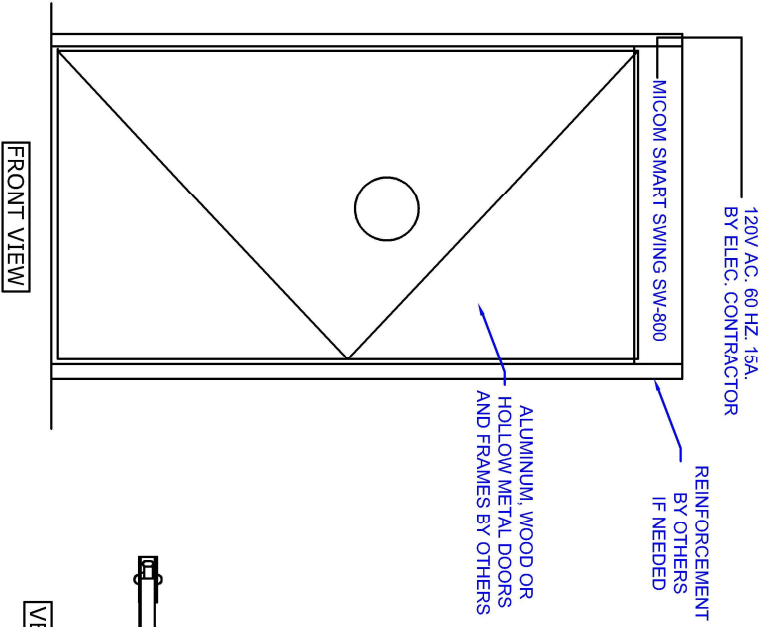


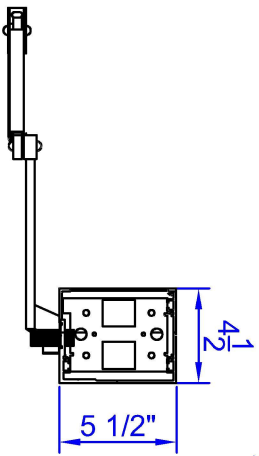
STANDARD FINISH: ANODIZED, BLACK, CLEAR, DARK BRONZE,
SPECIAL FINISHES ARE AVAILABLE



INTERIOR

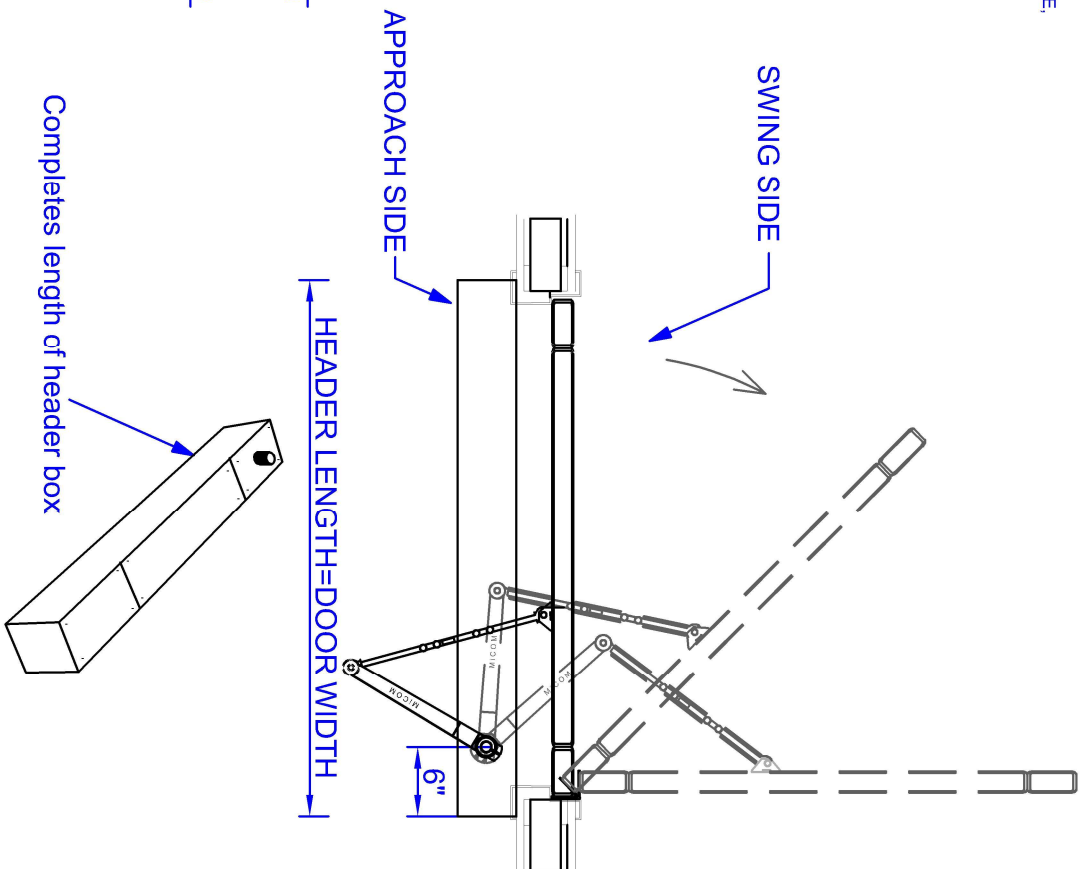


FRONT VIEW



TOP VIEW

VERTICAL SECTION



Micom Americas Inc.
220 Viceroy Road Unit 15
Vaughan, ON L4K 3C2
P: 905-851-4888
www.Micomamericas.ca

CLIENT:
PRODUCT:

DRAWING TITLE
RIGHT HAND PUSH BOTTOM LOAD
NAME:

Approved

REV	DATE	DESCRIPTION	CHNG	APP

SCALE AS NOTED
DATE
DRAWN BY
CHECKED BY
APPROVED BY

SECTION RH - PH - BOTTOM LOAD
REVISION 01