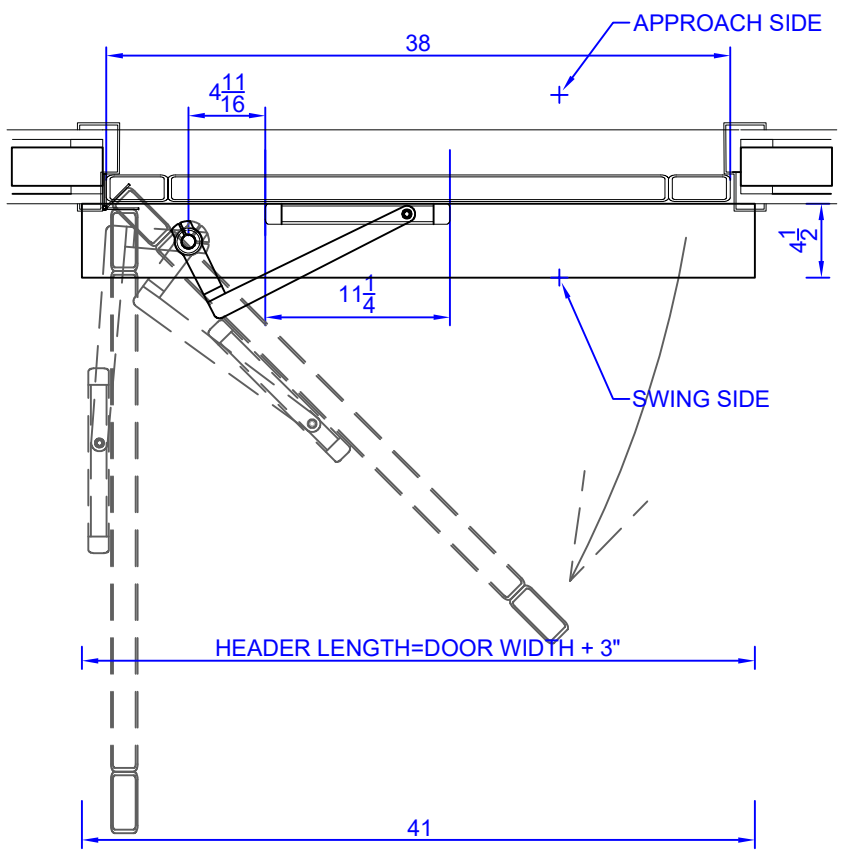
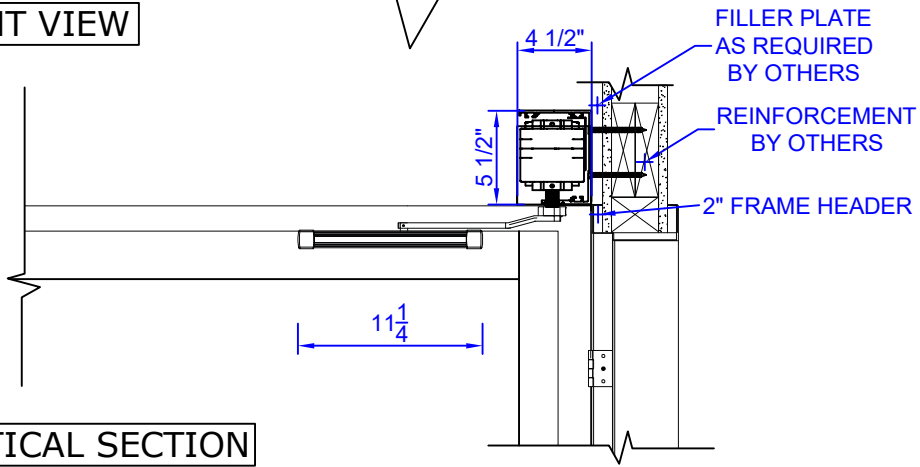


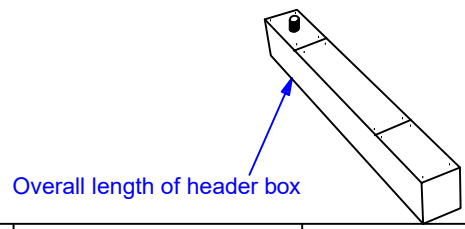
FRONT VIEW



TOP VIEW



VERTICAL SECTION



MICOM Americas Inc.
 220 Viceroy Road, Vaughan, ON
 UNIT 15, L4K 3C2, Toronto,
 Tel : +1 905 851 8688
 www.micomamericas.ca

CLIENT: _____
 PROJECT: _____

DRAWING TITLE
**RIGHT HAND PULL
 BOTTOM LOAD**

Notes:
 ALL DIMENSIONS ARE IN INCH, UNLESS OTHERWISE SPECIFIED

Architect

REVISIONS				
REV	DATE	DESCRIPTION	CHKD	APP
03	01-31-18	FOR APPROVAL		
04	02-12-18	FOR APPROVAL		
05	04-16-18	FOR APPROVAL		

SCALE AS NOTED	DATE 04.16.18	DRAWN BY M.K	CHECKED BY	APPROVED BY
SECTION: RHPULL BOTTOM LOAD				SHEET NO. 01